

110/23

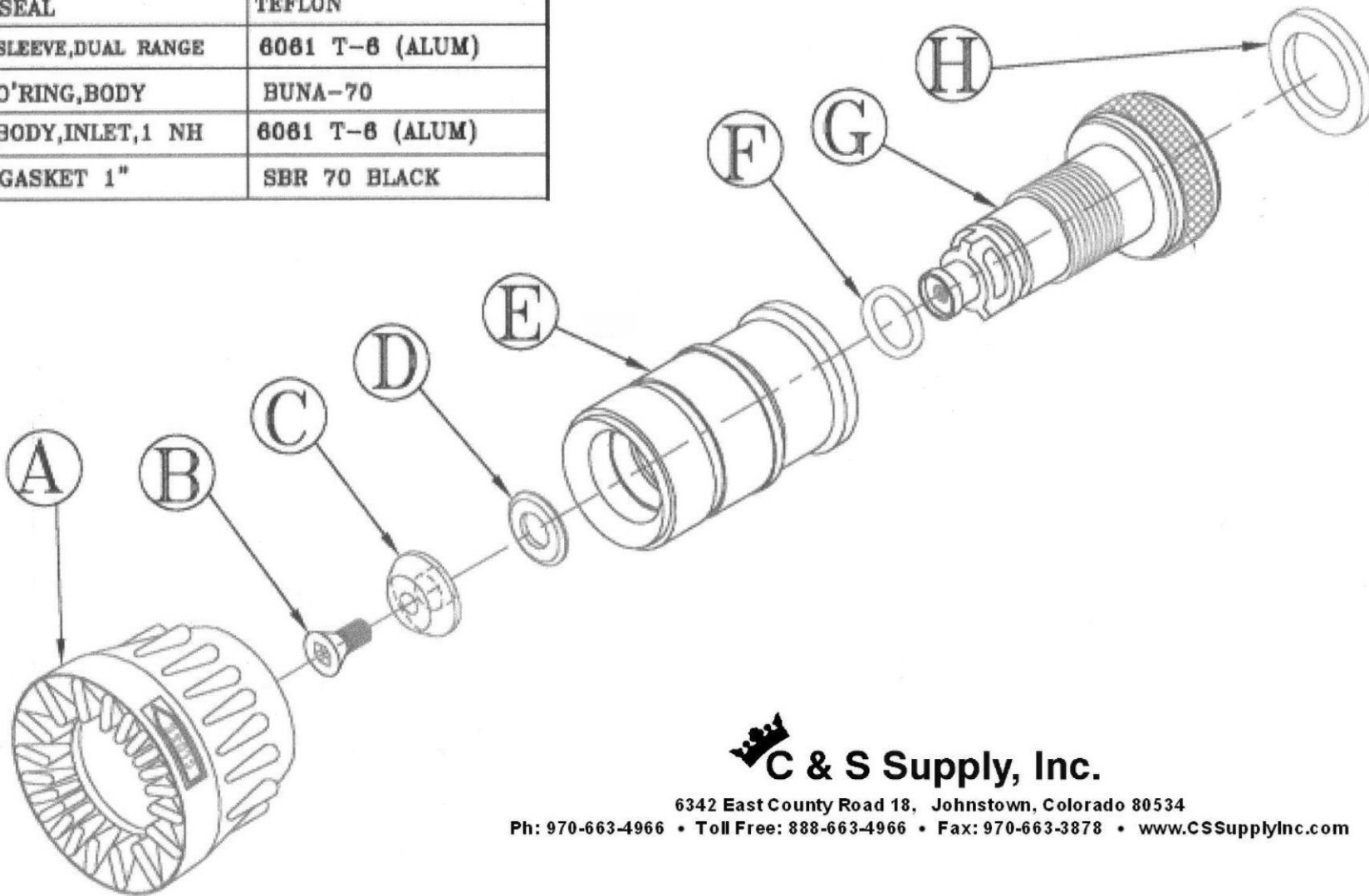


1" DUAL RANGE NOZZLE

10/23 GPM

BILL OF MATERIALS

ASSY ITEM	PART NO#	QTY	DESCRIPTION	MATERIAL
(A)	NZ-1-2	1	BUMPER	SANTOPRENE
(B)	NZ-1-3	1	SCREW,FHC,CRES	303 STAIN STEEL
(C)	NZ-1-1	1	CAP	303 STAIN STEEL
(D)	NZ-1-4	1	SEAL	TEFLON
(E)	NZ-1-DR	1	SLEEVE,DUAL RANGE	6061 T-6 (ALUM)
(F)	O-117	1	O'RING,BODY	BUNA-70
(G)	NZ-1-NH	1	BODY,INLET,1 NH	6061 T-6 (ALUM)
(H)	G-1	1	GASKET 1"	SBR 70 BLACK



C & S Supply, Inc.

6342 East County Road 18, Johnstown, Colorado 80534

Ph: 970-663-4966 • Toll Free: 888-663-4966 • Fax: 970-663-3878 • www.CSSupplyInc.com