

Viper Foam Series

FOAM EDUCTORS (BYPP)



FOAM NOZZLES (PVB)



Swivel :

- NST or NPSH for PVB models
- NST only for BYPP models

Weights:

- BYPP's: 1.75lbs
- PVB1550: 3lbs
- PVB3012: 3.5lbs
- PVB7515: 3.5lbs
- PVB9520: 3.5lbs
- CEP1560: 1lb
- CEP3012: 2lbs

Lengths:

- BYPP1560: 7"
- BYPP3012: 6"
- BYPP7515: 6"
- PVB1560: 15.5"
- PVB3012: 18.5"
- PVB7515: 18.5"
- CEP1560: 12"
- CEP3012: 16.25"

Made of extruded E-Lite alloy & Hard anodized

All Viper models are individually tested

FOAM NOZZLES FLOW DATA

STYLE	NOZZLE PRES-SURE (psi)	NOZZLE FLOW (gpm)	EXPANSION RATE	EFFECTIVE REACH
PVB1560	75	30	10:1	30
	100	35	10:1	36
PVB3012	75	60	12:1	39
	100	69	12:1	46
PVB7515	75	95	9:1	46
	100	110	9:1	56

FOAM PROPORTIONER FLOW DATA

STYLE	PRESSURE (psi)	FLOW (gpm)	PRESSURE LOSS	
			FOAM	BY-PASS
BYPP1560	100	18	39%	7%
	150	23	39%	7%
BYPP3012	100	46	33%	14%
	150	56	33%	14%
BYPP7515	100	92	30%	15%
	150	113	30%	15%
BYPP9520	100	110	30%	15%
	150	130	30%	15%

FOAM TUBES (CEP)



CEP1560



CEP3012

CEP FOAM TUBES ATTACH TO VIPER NOZZLES

CEP1560 ATTACHES TO VIPER MODELS:

- SG1560
- BDS752

CEP3012 ATTACHES TO VIPER MODELS:

- SG3012, SG7515, SG9520
- CG2510, CG5016, CG8020
- FT2510, FT5016, FT8020



C & S Supply, Inc.

6342 East County Road 18, Johnstown, Colorado 80534

Ph: 970-663-4966 • Toll Free: 888-663-4966 • Fax: 970-663-3878 • www.CSSupplyInc.com

VB1560 and VB3012 BOM			
REFERENCE	PART NAME	PART #	QUANTITY
1	1" GASKET	GASKET_1	1
1a	1.5" GASKET	GASKET_15	1
2	1" SWIVEL	V-1" SWIVEL	1
2a	1.5" SWIVEL	V-1.5" SWIVEL	1
3	SWIVEL O-RING	V-ORING-SW-3012	1
4	BALL	V-BALL-3012	1
5	PISTOL GRIP	V-PG15V	1
6	BALL LOCATOR (2 PIECES)	V-BALLLOC-3012	1
7			
8	PISTOL GRIP SET PIN	V-SETPIN-3012	1
9	VALVE BODY	VLVBDY-3012	1
10	SEAT RETAINER (3 PIECES)	V-SEATRTRNR-3012	1
11			
12			
13	BALL ACUATOR (2 PEICES)	V-BALLACT-3012	1
14			
15	PAN HEAD COVER	V-PANHEAD-3012	1
16	SWIVEL SET PIN	V-SETPIN-3012	1
17	BALL BEARINGS	V-BEARINGS-3012	32
18	HANDLE (BAIL)	V-HANDLE-3012	1

VB1560 and VB3012 AVAILABLE KITS		
KIT#	KIT Name	PARTS CONTAINED
VVRK-3012	Valve Repair Kit Small	1,1a,3,4,6,7,10,11,12,13,14,15,16,17,18
VBSC-3012	Ball & Seat Combo Small	4,10,11,12
V-HH5-3012	Handle Hardware Small	6,7,13,14,15
V-SWKIT1560	Swivel Kit 1" Small	1,3,16,17
V-SWKIT3012	Swivel Kit 1.5" Small	1a,3,16,17

BALL SHUTOFF USE:

- Open and close the valve slowly to reduce risk of water hammer.
- Pull the bail handle toward the swivel to OPEN the valve.
- Push the bail handle toward the tip of the nozzle to CLOSE the valve.

EDUCTOR USE:

- These work under the "Ventury principle" and need at least 75psi to operate.
- Note: there are separate attachments to meter foam concentrate 3% and 6% come standard 1% and 2% optional. These screw on between the eductor body and the eductor hose, each is marked.
- There is a bypass switch on the body of the eductor that controls whether water or foam is being flowed.
- Any nozzle used needs to flow at least the rated flow of the eductor. It is suggested to have a nozzle that is capable of 30% more.

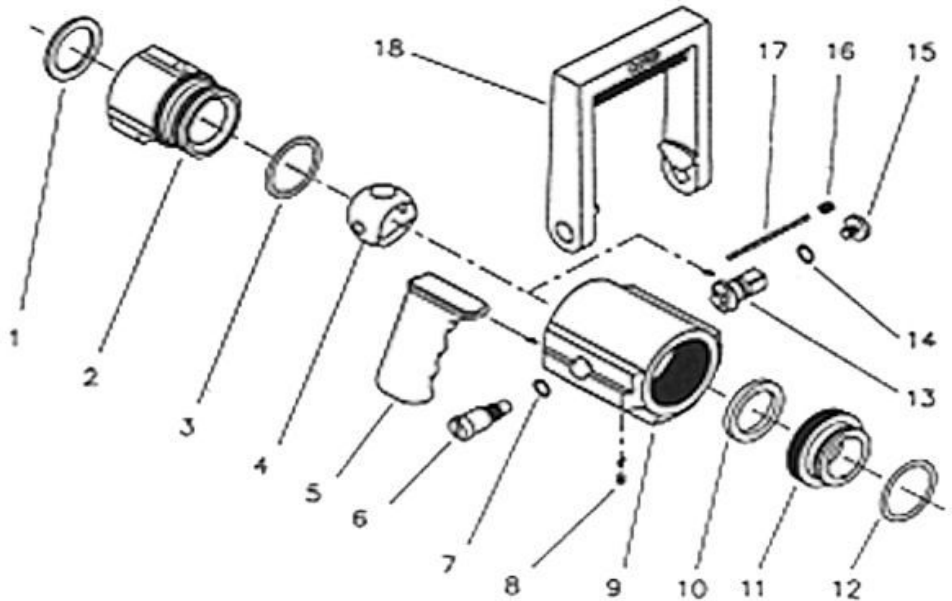
! DANGER

**PLEASE BE RESPONSIBLE!
PLEASE BE CAREFUL!**

THE USER OF THIS EQUIPMENT IS PERSONALLY RESPONSIBLE FOR THE FOLLOWING:

1. You need to know and understand that Fire-fighting and Emergency response is dangerous and proper training is needed.
2. You need to be physically fit and skillful in the use of any equipment that you may need to use.
3. You need to know that your equipment is in proper working order.
4. You need to know carelessness or negligence may result in injury or death.

**PLEASE BE RESPONSIBLE!
PLEASE BE CAREFUL!**



C & S Supply, Inc.

6342 East County Road 18, Johnstown, Colorado 80534
Ph: 970-663-4966 • Toll Free: 888-663-4966 • Fax: 970-663-3878 • www.CSSupplyInc.com