

Valve Maintenance for a Viper Nozzle

Taking it apart

Remove handle hardware screws; parts 15 and 6 on the Diagram

Pull the bail off the body of the nozzle; part 18

Remove the tip of the valve (this simply un-screws, a recessed lug spanner might help with VB1560 tip); part not shown on diagram

Unscrew the seat retainer Assembly; parts 10, 11 and 12

The ball can now be pulled out; part 4

The ball actuator can be pulled out by pushing it into the valve body; part 13

Remove the swivel set pin and twist the swivel until all the ball bearings are out; parts 16, 17

Pull the swivel out of the valve body; parts 1, 2, 3

Clean the valve and its parts with 'non-detergent' soap and water if necessary.

Putting it back together

Place the new actuator in the hole that the old one came out of with the trunion horizontal (in-line with the valve); part 13

Place the ball into the valve body with the ball facing up this makes the flat part the front when the ball is closed. If you have the new metal ball either way is fine; part 4

Holding the ball, place the bail back on the valve body; part 18

Put thread locker on the ball locator pin and screw it back into the valve body through the bail; part 6 (the bail should now actuate the movement of the ball)

Replace the seat retainer assembly. Tighten it down till there is no leak around the ball if there is a small leak around the threads the tip will stop that; parts 10,11, and 12

Grease the swivel O-ring (part 3) and the ball bearing track. Insert the swivel into the valve body; parts 1, 2, and 3

Insert the ball bearings (there are about 30). Place thread locker on the swivel set screw and insert it into the valve body, so the top of the screw is flush with the valve body

Replace the tip and tighten it down

Test the valve before using.

VIPER VB1560 & VB3012

VB1560 and VB3012 BOM

REFERENCE	PART NAME	PART #	QUANTITY
1	1" GASKET	GASKET_1	1
1a	1.5" GASKET	GASKET_15	1
2	1" SWIVEL	V-1" SWIVEL	1
2a	1.5" SWIVEL	V-1.5" SWIVEL	1
3	SWIVEL O-RING	V-ORING-SW-3012	1
4	BALL	V-BALL-3012	1
5	PISTOL GRIP	V-PG15V	1
6	BALL LOCATOR (2 PIECES)	V-BALLLOC-3012	1
7			
8	PISTOL GRIP SET PIN	V-SETPIN-3012	1
9	VALVE BODY	VLVBDY-3012	1
10	SEAT RETAINER (3 PIECES)	V-SEATRTNR-3012	1
11			
12			
13	BALL ACUATOR (2 PEICES)	V-BALLACT-3012	1
14			
15	PAN HEAD COVER	V-PANHEAD-3012	1
16	SWIVEL SET PIN	V-SETPIN-3012	1
17	BALL BEARINGS	V-BEARINGS-3012	32
18	HANDLE (BAIL)	V-HANDLE-3012	1

VB1560 and VB3012 AVAILABLE KITS

KIT#	KIT Name	PARTS CONTAINED
VVRK-3012	Valve Repair Kit Small	1,1a,3,4,6,7,10,11,12,13,14,15,16,17,18
VBSC-3012	Ball & Seat Combo Small	4,10,11,12
V-HH5-3012	Handle Hardware Small	6,7,13,14,15
V-SWKIT1560	Swivel Kit 1" Small	1,3,16,17
V-SWKIT3012	Swivel Kit 1.5" Small	1a,3,16,17

SHUTOFF USE:

- Open and close the valve slowly to reduce risk of water hammer.
- Pull the bail handle toward the swivel to OPEN the valve.
- Push the bail handle toward the tip of the nozzle to CLOSE the valve.
- Maximum Operating Pressure for VIPER Valves is 580 PSI

Maintenance:

- Test nozzle before putting into service.
- Clean nozzle by flushing with water after use.
- Use non-detergent soap to clean dirt from the exterior to reduce wear.
- Regularly check the bail handle screws that they are tight. If taken out use medium strength thread locker on the threads before reassembly.
- Periodically service your nozzle or have your fire equipment dealer service it.
- Normally serviced parts are the: Ball, Seat assembly, and the handle hardware (Ball locator screw, Actuator, Pan head cover).

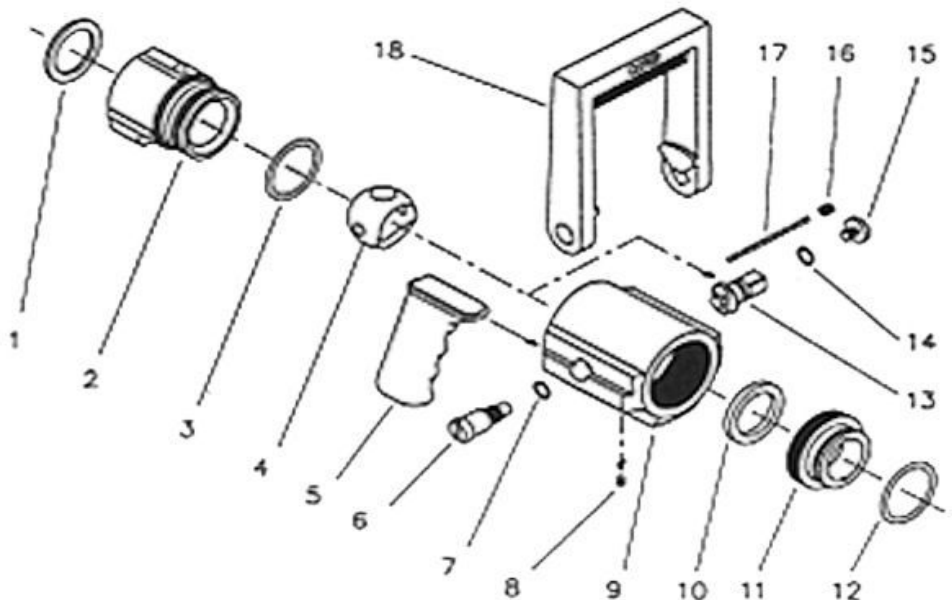
! DANGER

**PLEASE BE RESPONSIBLE!
PLEASE BE CAREFUL!**

THE USER OF THIS EQUIPMENT IS PERSONALLY RESPONSIBLE FOR THE FOLLOWING:

1. You need to know and understand that Fire-fighting and Emergency response is dangerous and proper training is needed.
2. You need to be physically fit and skillful in the use of any equipment that you may need to use.
3. You need to know that your equipment is in proper working order.
4. You need to know carelessness or negligence may result in injury or death.

**PLEASE BE RESPONSIBLE!
PLEASE BE CAREFUL!**



C & S Supply, Inc.