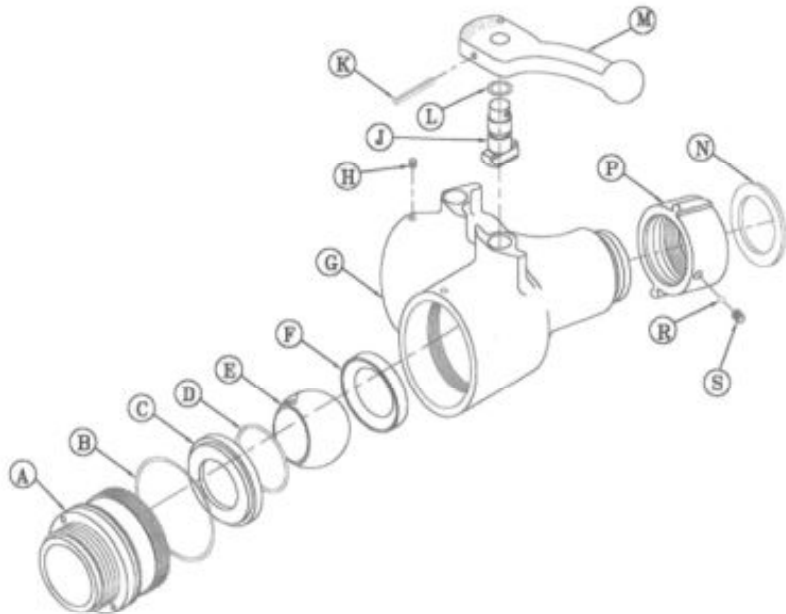


WV1010 - 1" Fe. X (2) 1" M.

ASSY ITEM	PART NO#	QTY	DESCRIPTION	MATERIAL
A	WV-1-9	2	OUTLET,MALE,1NH	6061-T6 ALUM
B	O-133	2	O-RING,OUTLET,MALE	BUNA-70
C	WV-1-5	2	SEAL,ACETAL	NATURAL ACETAL
D	O-215	2	O-RING,SEAL,FACE	BUNA-70
E	WV-1-11	2	BALL,VALVE	NATURAL ACETAL
F	WV-1-4	2	SEAT,ACETAL	NATURAL ACETAL
G	WV-1-1	1	BODY,WYE,1NH	356-T6 ALUM
H	SS-1032-125	2	SCREW,SET,BODY,CRES	303 STAIN STL
J	WV-1-6	2	STEM	6061-T6 ALUM
K	RP-125-1250	2	ROLLPIN,HANDLE,CRES	303 STAIN STL
L	O-011	2	O-RING,STEM	BUNA-70
M	WV-1-7 LEFT	1	HANDLE,LEFT	356-T6 ALUM
M	WV-1-8 RIGHT	1	HANDLE,RIGHT	356-T6 ALUM
N	G-1	1	GASKET,INLET,1 INCH	SBR-70-BLACK
P	WV-1-2	1	NUT,SWIVEL,1NH	6061-T6 ALUM
R	BA-125	30	BALL,CRES,1/8	303 STAIN STL
S	SS-1032-125	1	SCREW,SET,SWIVEL,CRES	303 STAIN STL



Instructions

1. Back set pin 'H' off one half turn. Any more will rip O-ring 'B' when you twist male adapter 'A' out of the valve body.
2. Remove male adapter 'A' by twisting it off. There is a special tool for this but by rapping the male end in a towel to protect the threads and placing the male end in a vice works also.
3. Align ball 'E' in the open position and slide it out of the valve body. The seat 'G' can now come out.
4. Remove the seat 'C,D' from the male adapter
5. Repeat steps 1-4 for the other side.

Putting it back together

1. Place the seat 'F' in the valve body.
2. Slide the ball 'E' back in over the trunion 'N' and then turn to the close position. This keeps the ball and seat in position while the male adapter is screwed in.
3. Place the seal 'C,D' in the male adapter 'A'.
4. Screw the male adapter 'A' into the valve body. DO NOT OVERTIGHTEN, THE BALL SEALS ON CONTACT WITH THE SEAL.
5. Tighten the set screw 'H' slightly less than hand tight. Too much will cause the male adapter to leak.
6. Test all equipment before putting into service.

 C & S Supply, Inc.